

SW10

Skid Steer Wheel Loader








**WACKER
NEUSON**
all it takes!



Versatility is the real driver of this machine

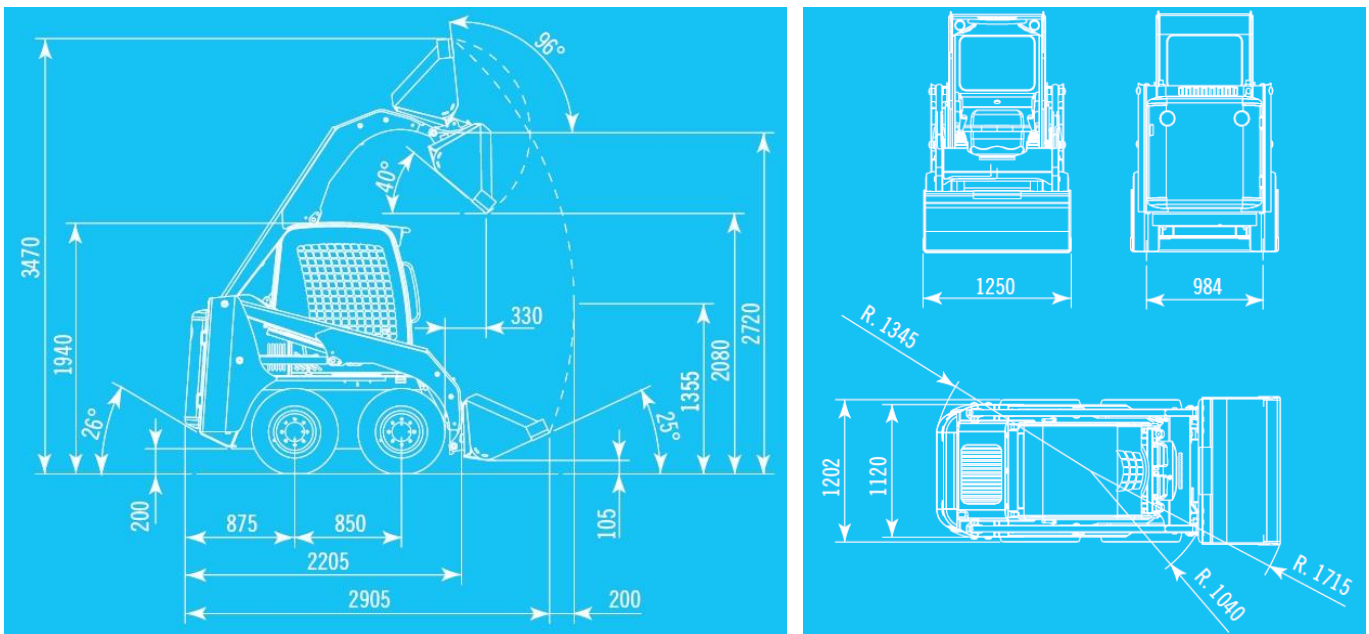
The versatile SW10 Skid Steer Wheel Loader is an excellent addition to any hire or contractor fleet and is the perfect fit for landscaping projects, light site work, grading, auguring, general material handling and much more!

-  Skid steer loader with hydrostatic transmission, double axial pistons variable displacement pumps with four drive motors, sequentially connected: (no chain drive).
-  Hydraulic servocontrols to operate boom, bucket and drive.
-  Large operator platform, suspension seat, foot and hand throttle, FOPS, ROPS protection, flip up cabin for ease of maintenance access.
-  Hydraulic power take off (PTO) to use various attachments.
-  Universal quick hitch.

SW10 Technical specifications

Rated Operating Capacity	450 kg
Break-out force	930 daN
Operating weight	1,850 kg
Travel speed	0-10 Km/h
Operating pressure - ground	180 bar
Lifting force (from ground)	1,030 daN
Pressure - auxiliary	39 l/min
Engine / Motor	Kubota D1703
Power	34.5 hp
Fuel tank capacity	42 litres

SW10 Dimensions



Dimensions in mm

Data, features and pictures are not binding and may be altered without any prior notice.

Please note: that product availability can vary from country to country. It is possible that information / products may not be available in your country. More detailed information on engine power can be found in the operator's manual; the stated power may vary due to specific operating conditions. Subject to alterations and errors excepted. Applicable also to illustrations.
Copyright © 2022 Wacker Neuson SE.